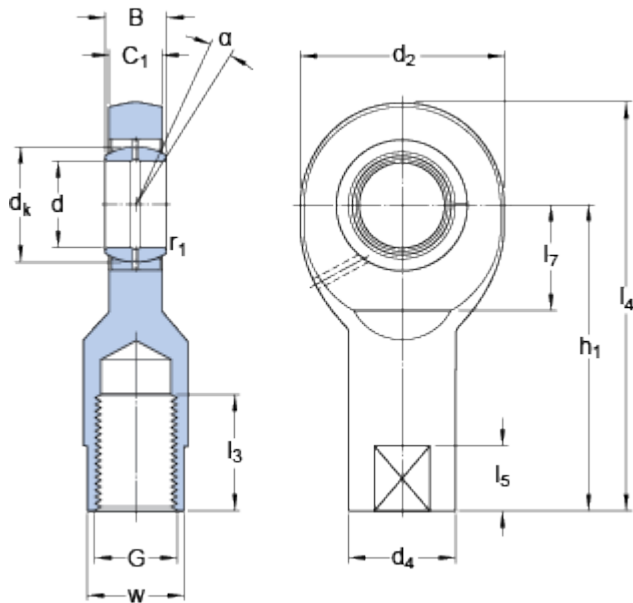


# SI 20 ES

## Dimensions



d		20	mm
d <sub>2</sub>	max.	54	mm
B		16	mm
G	6H	M 20x1.5	
C <sub>1</sub>	max.	13.5	mm
h <sub>1</sub>		77	mm
α		9	°
d <sub>k</sub>		29	mm
d <sub>4</sub>	≈	28	mm
l <sub>3</sub>	min.	30	mm
l <sub>4</sub>	max.	106	mm
l <sub>5</sub>	≈	16	mm
l <sub>7</sub>	min.	24	mm
w	h14	24	mm
r <sub>1</sub>	min.	0.3	mm

## Calculation data

Basic dynamic load rating	C	30	kN
Basic static load rating	C <sub>0</sub>	57	kN
Specific dynamic load factor	K	100	N/mm <sup>2</sup>
Material constant	K <sub>M</sub>	330	

## Mass

Mass rod end	0.34	kg
--------------	------	----